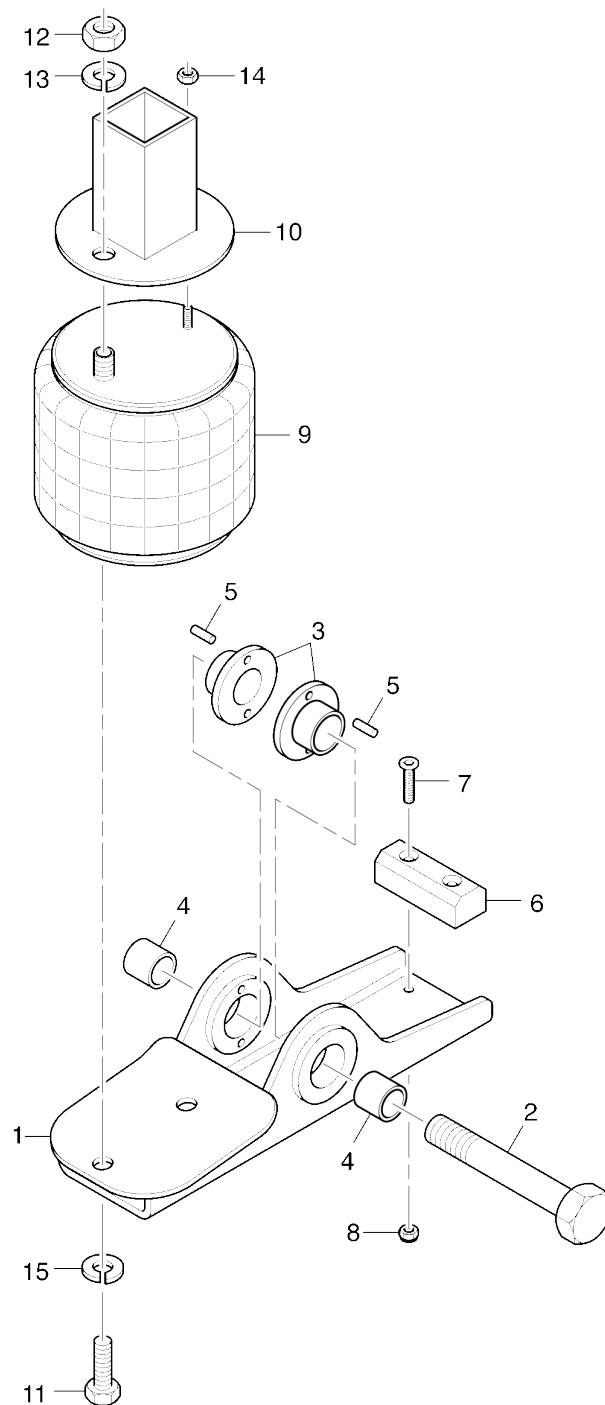


Granning Cantilever Lift Kit

Part Identification



GRANNING LIFT KITS - CANTILEVER LIFT KIT PARTS LIST

| Item | Description | L602PTS34 | L602PTS38 | L602PTS43 |
|------|-----------------------------|-----------|-----------|-----------|
| 1 | Cantiliver Lift Arm | 12742 | 12742 | 12742 |
| 2 | Bolt M30-3.5x262mm GRD 10.9 | 70881 | 70881 | 70881 |
| 3 | Bearing Flanged Plastic | 11387 | 11387 | 11387 |
| 4 | Bush Spacer | 11386 | 11386 | 11386 |
| 5 | Spring Tension Pin 64x12 | 11433 | 11433 | 11433 |
| 6 | Buffer Pad | 11815 | 11815 | 11815 |
| 7 | Bolt M10x45 Csk | 70705 | 70705 | 70705 |
| 8 | Nyloc Nut M10 | 71621 | 71621 | 71621 |
| 9 | Air Spring Assembly | 15699 | 15699 | 15699 |
| 10 | Pedestal Assembly | 13113 | 12164 | 12165 |
| 11 | Setscrew M12x30 Long | 70658 | 70658 | 70658 |
| 12 | Halfnut M20x1.5 GRD 8.8 | 71760 | 71760 | 71760 |
| 13 | Washer M20 Spring | 72013 | 72013 | 72013 |
| 14 | Nyloc Nut M12 | 71670 | 71670 | 71670 |
| 15 | Washer M12 Spring | 72012 | 72012 | 72012 |

airsprings.com contact:

UK +44 (0) 1925 810 400
Ireland +353 (0) 45 875 996
(NI) +44 (0) 2890 740 055
Poland +48 (0) 785 875 996



airsprings.com

International Parts Distributors