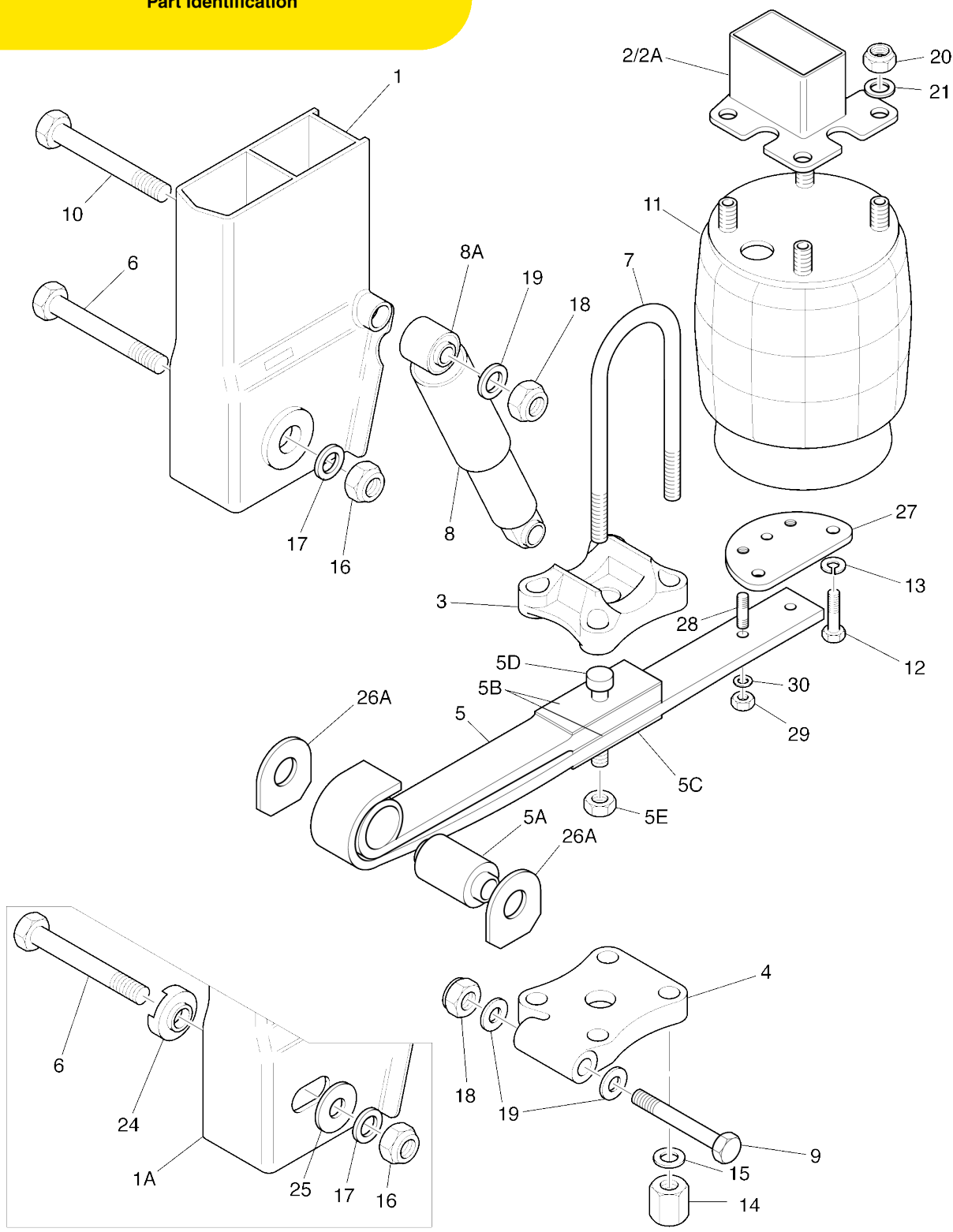




ROR

ROR / Meritor Suspension - FL11000 Part Identification



ROR / Meritor Suspension FL11000 - Parts List

Item	Description	OE Part No	airsprings.com Part No
1	Frame Mounting Bracket, Untracked (Ride Height mm)	21222716-25 (250-475)	54358
1A	Frame Mounting Bracket, Tracked L/H (Ride Height mm)	21222716L-25L (250-475)	54359
1A	Frame Mounting Bracket, Tracked R/H (Ride Height mm)	21222716R-25R (250-475)	54360
2	Airspring Pedestal Plate (Ride Height mm)	21222452 (250)	54139
2A	Airspring Pedestal Assembly (Ride Height mm)	21221994-2002 (275-475)	54361
3	Spring seat	21222262	54079
4	U bolt plate, L/H	21224436	54149
4	U bolt plate, R/H	21224437	54150
5	Trailing Arm Assembly, C/W Bush, M30	21225499	15125
5A	Pivot bush, M30	21222609	11832
5B	Shim	21222198	54092
5C	Shim	21222436	54362
5D	Bolt, M16 x 121	21222196	54090
5E	Nut, M16	99527002	54091
6	Pivot Bolt, M30 x 200	21222234	54132
7	U bolt, M24 x 315	21222326	54125
8	Damper	21224745	53006
8A	Damper Bush	DBK1	54108
9	Damper Bolt - Bottom, M24 x 195	21222230	54129
10	Damper Bolt - Top, M24 x 250	21222231	54130
11	Airspring	21222239FS	15634
12	Bolt, M12 x 35	99526000	54161
13	Spring Washer, M12	99510003	54156
14	U Bolt Nut, M24	21222243	54133
15	U Bolt Washer, M24	21222923	54142
16	Pivot Nut, M30	99527003	54164
17	Pivot Washer, M30	99513008	54158
18	Damper Nut, M24	99527004	54165
19	Damper Washer, M24	99513007	54157
20	Nut, M12	99527000	54163
21	Washer, M12	99513006	54154
24	Tracking Bush, Eccentric, M30	21222221	54058
25	Tracking Bush, Concentric, M30	21222287	54059
26	Wear Plate, Tracked, M30	21222223	54060
26A	Wear Plate, Untracked, M30	21222690	54061
27	Offset Support Plate (offset mm)	21222248-52 (95, 75, 45, 30, 0)	54363
28	Stud, M16	21222255	54135
29	Nut, M16	99527002	54091
30	Washer, M16	99513009	54159

airsprings.com contact:

UK +44 (0) 1925 810 400
Ireland +353 (0) 45 875 996
(NI) +44 (0) 2890 740 055
Poland +48 (0) 785 875 996



airsprings.com

International Parts Distributors