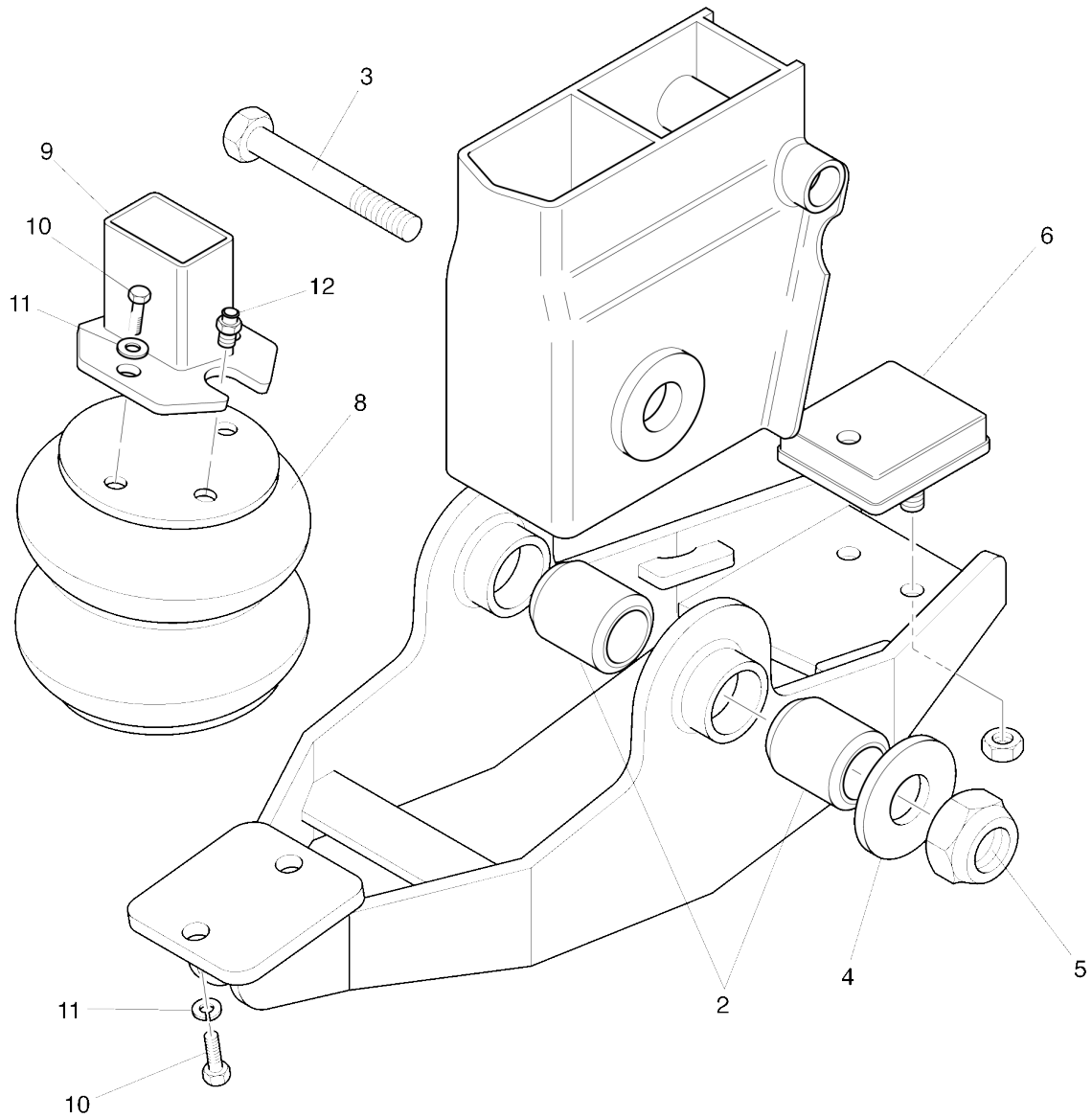


ROR / Meritor Lift Kit - Flexair Axle Lift
 Suitable for FL9000M & FL11000 Suspensions
 Part Identification



ROR / Meritor FL9000M & FL11000 Flexair Axle Lift Kit - Parts List

Item	Description	OE Part No	airsprings.com Part No
1	Lift Arm, c/w bush (M30)	21223745	54403
2	Pivot Bush (M30)	21223742	54404
3	Pivot Bolt (M30x290mm)	21223744	54247
4	Washer (M30)	99513008	54158
5	Nut (M30)	99527003	54164
6	Rubber Pad	21223749	54405
7	Nut (M8)	21208424	54406
8	Airspring	21221356	15670
9	Pedestal Assembly	-	-
10	Set Screw (M10x25mm)	99518001	54401
11	Washer (M10)	99510006	54400
12	Stud Coupling	21224037	54407

airsprings.com contact:

UK +44 (0) 1925 810 400
Ireland +353 (0) 45 875 996
(NI) +44 (0) 2890 740 055
Poland +48 (0) 785 875 996


airsprings.com

International Parts Distributors