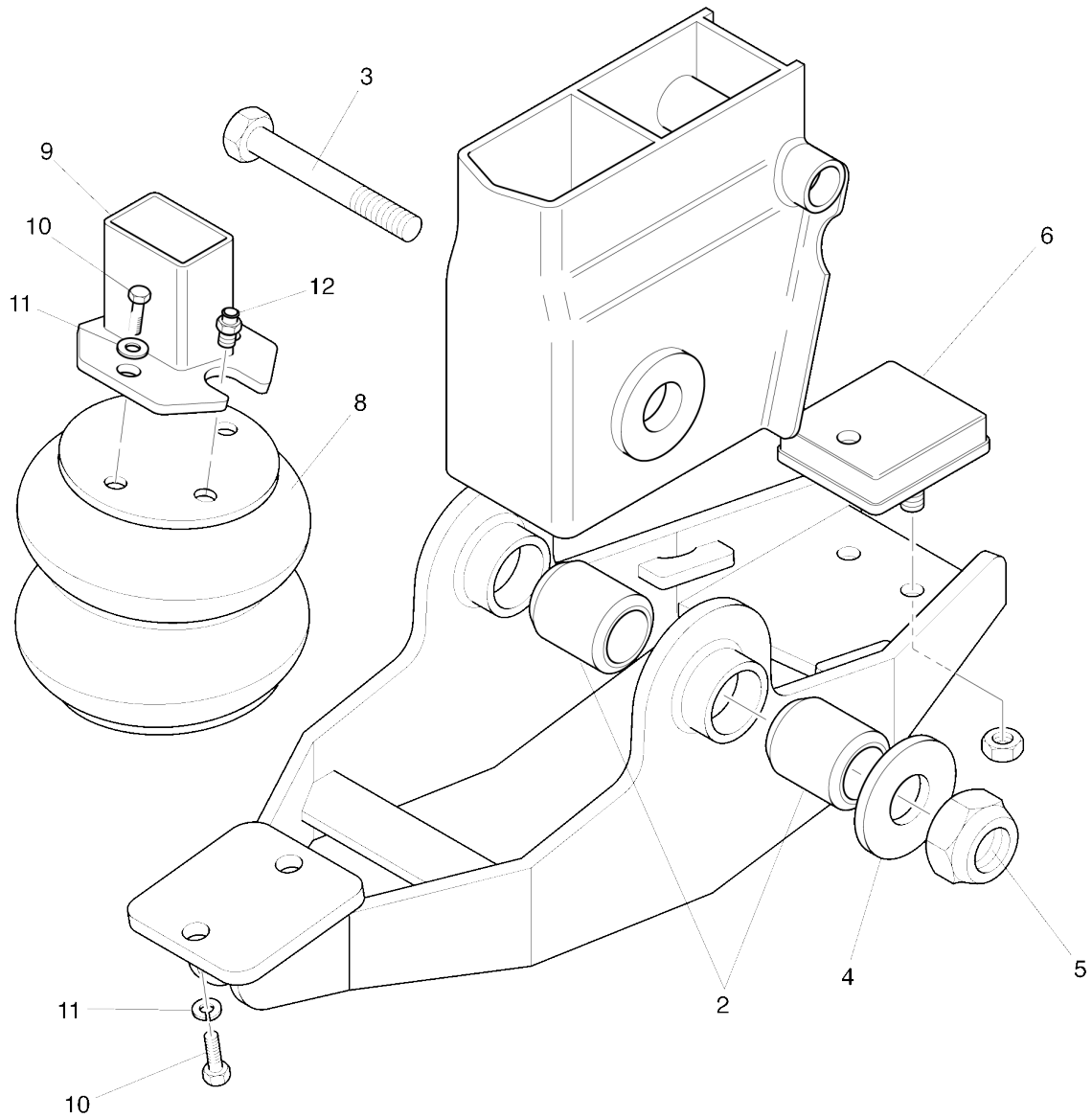


**ROR / Meritor Lift Kit - Flexair Axle Lift**  
 Suitable for FL9000M & FL11000 Suspensions  
 Part Identification



**ROR / Meritor FL9000M & FL11000 Flexair Axle Lift Kit - Parts List**

<b>Item</b>	<b>Description</b>	<b>OE Part No</b>	<b>airsprings.com Part No</b>
1	Lift Arm, c/w bush (M30)	21223745	<b>54403</b>
2	Pivot Bush (M30)	21223742	<b>54404</b>
3	Pivot Bolt (M30x290mm)	21223744	<b>54247</b>
4	Washer (M30)	99513008	<b>54158</b>
5	Nut (M30)	99527003	<b>54164</b>
6	Rubber Pad	21223749	<b>54405</b>
7	Nut (M8)	21208424	<b>54406</b>
8	Airspring	21221356	<b>15670</b>
9	Pedestal Assembly	-	-
10	Set Screw (M10x25mm)	99518001	<b>54401</b>
11	Washer (M10)	99510006	<b>54400</b>
12	Stud Coupling	21224037	<b>54407</b>

**airsprings.com contact:**

**UK** +44 (0) 1925 810 400  
**Ireland** +353 (0) 45 875 996  
**(NI)** +44 (0) 2890 740 055  
**Poland** +48 (0) 785 875 996


**airsprings.com**

International Parts Distributors