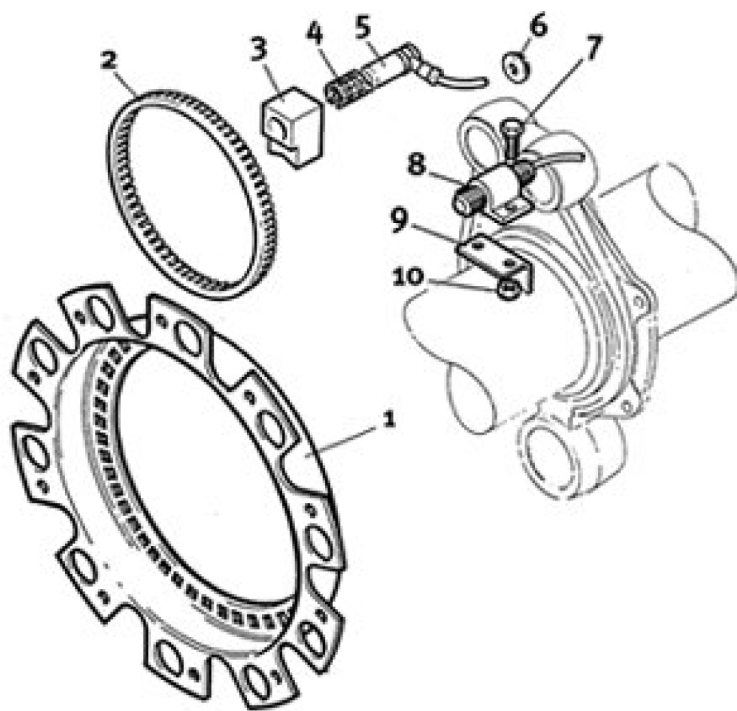


**900 Series Axle ABS /
Anti-Lock Assembly**
Part Identification



900 Series Axle ABS / Anti-Lock Assembly - Parts List

Item	Description	airsprings.com Part No
1	Exciter Ring	61796
2	Pole Wheel	61787
3	Sensor Block	61781
4	Sensor Sleeve	61792
5	Sensor Lead 90°	61790
5A	Sensor Lead Straight	61791
6	Grommet	61557
7	Screw M5 x 16 mm	61556
8	Sensor Anti Skid Check	61793
9	Sensor Bracket	61794
10	M5 Nyloc Nut	61555

airsprings.com contact:

UK +44 (0) 1925 810 400
Ireland +353 (0) 45 875 996
(NI) +44 (0) 2890 740 055
Poland +48 (0) 785 875 996



airsprings.com

International Parts Distributors