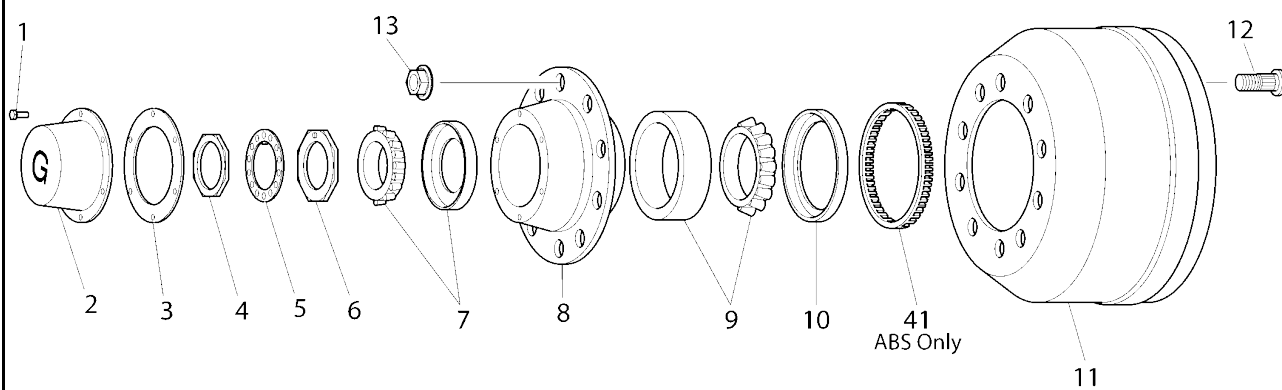


## 900 Series Axle Drum Brake Assembly Part Identification



### 900 Series Axle Drum Brake Parts List

Item	Description	335x210
1	Screw M8	<b>61358</b>
2	Hub Cap "G"	<b>61322</b>
3	Gasket	<b>61330</b>
4	Locknut	<b>61310</b>
5	Lock Washer	<b>61300</b>
6	Adjusting Nut	<b>61290</b>
7	Outer Bearing Timken	<b>61265</b>
8	Hub ISO Spigot	<b>61520</b>
9	Inner Bearing Timken	<b>61264</b>
10	Oil Seal Unitised	<b>61282</b>
11	Brake Drum 10 Stud	<b>61029</b>
12	Wheel Bolt M22 ISO Twin	<b>61363</b>
13	Wheel Nut M22 ISO	<b>61381</b>

**airsprings.com contact:**

**UK** +44 (0) 1925 810 400  
**Ireland** +353 (0) 45 875 996  
**(NI)** +44 (0) 2890 740 055  
**Poland** +48 (0) 785 875 996



**airsprings.com**

International Parts Distributors