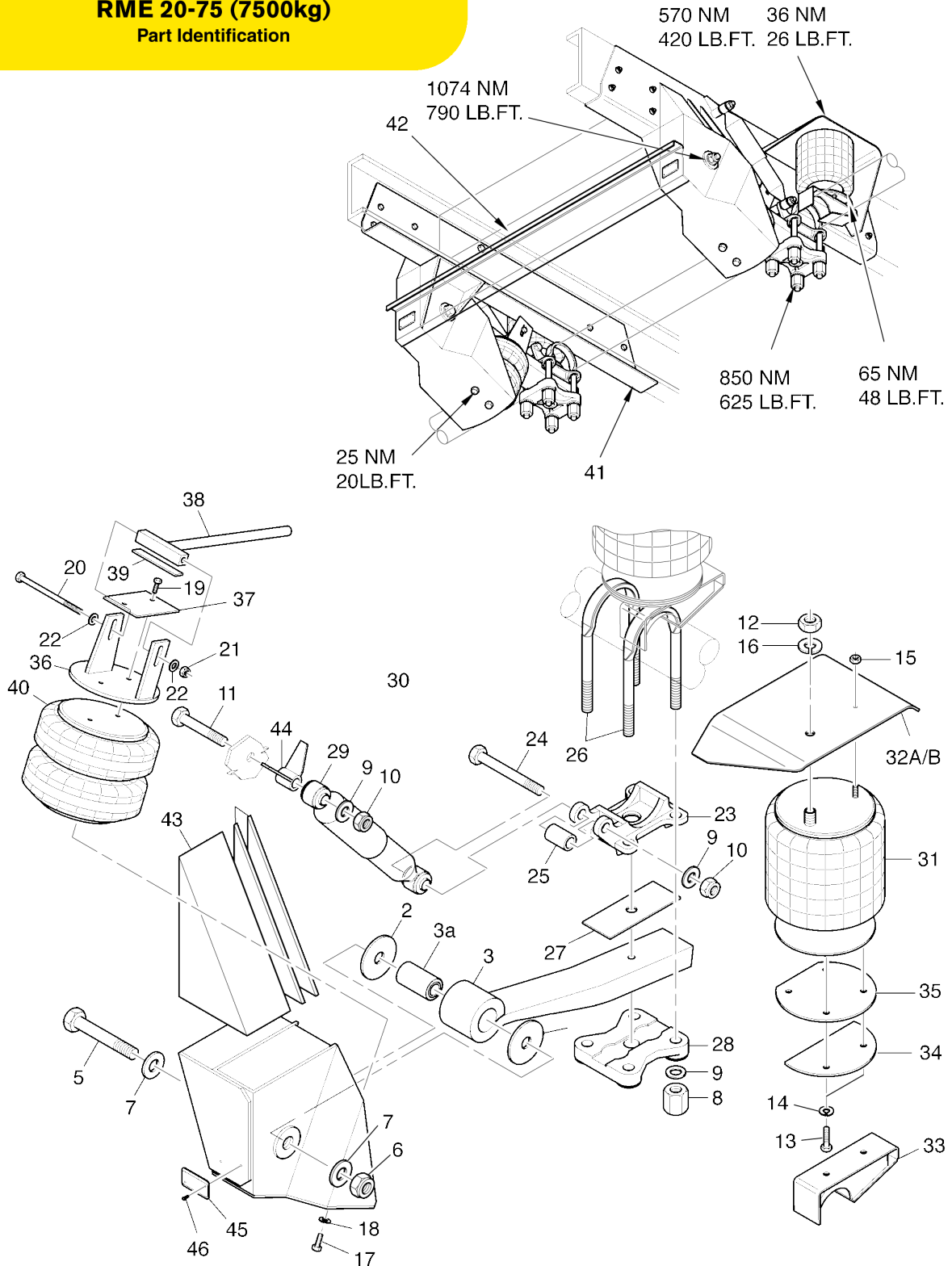


**Granning Suspensions -
RME 20-75 (7500kg)**
Part Identification



GRANNING SUSPENSIONS - RME 20-75 PART LIST

Item	Description	airsprings.com Part No	Item	Description	airsprings.com Part No
1A	Hanger Assy LH	13200	Bolt Kit		B0016K
1B	Hanger Assy RH	13201	5	Bolt M30 x 195mm Gr10.9	70880
2	Washer Track Pivot Eye Inner	11858	6	Self Locking Nut M30 3.5 Gr10.9	71721
3	Beam Spring	12304A	7	Washer Outer Pivot Eye Plated	11388
3a	Pivot Eye Bush	11830	8	Nut U-Bolt M24	15175
23	Axle Saddle Retro 24mm	13121	9	Washer M24 (Plated)	15174
24	Bolt M24 x 2 x 130mm	70858	10	Nut M24 x 2 Nyloc S/L Gr10	71722
25	Spacer Washer Shock Abs	13208	11	Bolt M24 x 2.0 x 150mm Gr10.9	70856
26	U Bolt PTS 220mm	13145	12	Halfnut M20 x 1.5 Gr8.8 Z-Plate	71760
27	Locator Plate 25mm	15063	13	Setscrew M12 x 1.75 x 30mm Gr8.8	70658
28	Cast Clip Plate - Standard	12902	14	Washer M12 Spring Rect Z-Plate	72012
29	Shock Absorber	13104	15	Nut M12 Nyloc Z-Plate	71670
30	Top Shock Bolt Spacer	12366	16	Washer M20 Shakeproof Int Z-Plate	72017
31	Air Spring Assy	12368	17	Setscrew M10 x 1.5 x 25mm Gr8.8	70612
32A	Bracket Air Spring Top LH	12300	18	Washer M10 Spring Rect Z-Plate	72018
32B	Bracket Air Spring Top RH	12301	19	Csk Screw M10 x 1.5 x 20mm Gr8.8	70668
33	Air Spring Seat	13212	20	Bolt M10 x 1.5 x 140mm Gr8.8	70610
34	Air Spring Offset Base Plate	13209	21	Nut M10 Nylon	71621
35	Support Plate Air Spring	12302	22	Washer M10 MD Plain	72100
36	Lift Spring Top Plate Assy RM	12596			
37	Rubber Pad 100 x 150 x 3mm	12600			
38	Spacer Block Lift Airspring	12599			
39	Rubber Pad 100 x 25 x 3mm	12601			
40	Air Spring Firestone	15670			
41	Flitch Plate RM Suspension	12459			
42	Crossmember - RM Susp	12460			
43	Gusset Closed - RME Susp	13207			
44	Gusset Plate - RME Susp	13206			
45	Serial No. Plate Suspension	12183			
46	Drive Screw 8 3x 12mm	11476			

airsprings.com contact:



UK +44 (0) 1925 810 400
Ireland +353 (0) 45 875 996
(NI) +44 (0) 2890 740 055
Poland +48 (0) 785 875 996

airsprings.com

International Parts Distributors