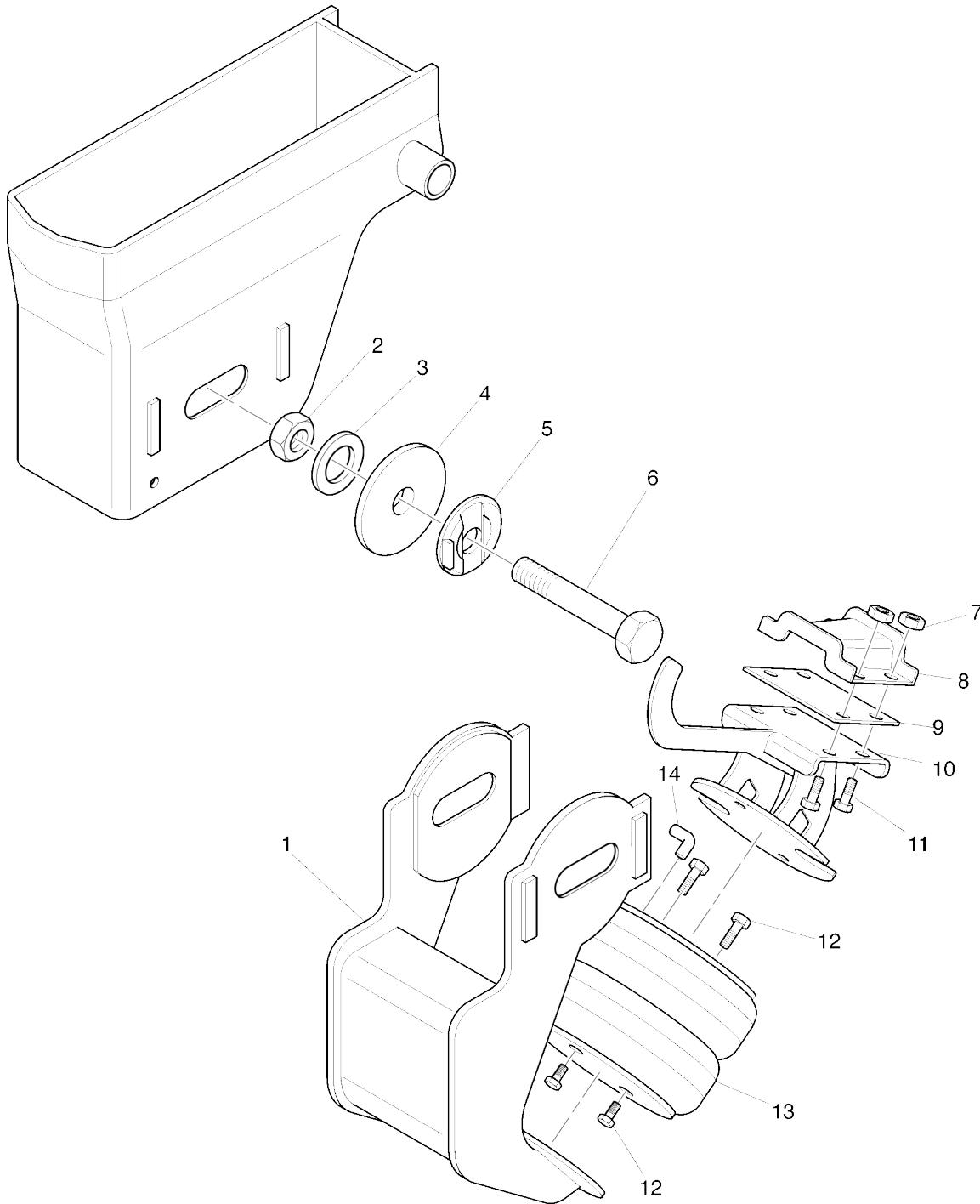


**ROR / Meritor Lift Kit -
Flexair NB Axle Lift**
Suitable for FLEXAIR NB Tracked Type Suspensions
Part Identification



ROR / Meritor Flexair NB Axle Lift Kit - Parts List

Item	Description	OE Part No	airsprings.com Part No
1	Lift Welded Assembly RH	21227251 RH	54408
1	Lift Welded Assembly LH	21227251 LH	54409
2	Pivot Nut M24	99527004	54165
3	Pivot Washer M24	99513007	54157
4	Tracking Bush, eccentric* M24	21228663	54221
5	Tracking Bush, concentric* M24	21228664	54104
6	Pivot Bolt M24x225	212161895	54410
7	Nut M10	99527005	54398
8	Top Clamp	21227273	54501
9	Clamp Shim	21227274	54432
10	Clamp Welded Assembly	21227257	54433
11	Bolt M10x40	99518004	54399
12	Screw M10x25	99518001	54401
13	Airspring	21222663	15603
14	Elbow Adaptor	21223190	79888

airsprings.com contact:

UK +44 (0) 1925 810 400
Ireland +353 (0) 45 875 996
(NI) +44 (0) 2890 740 055
Poland +48 (0) 785 875 996



airsprings.com

International Parts Distributors