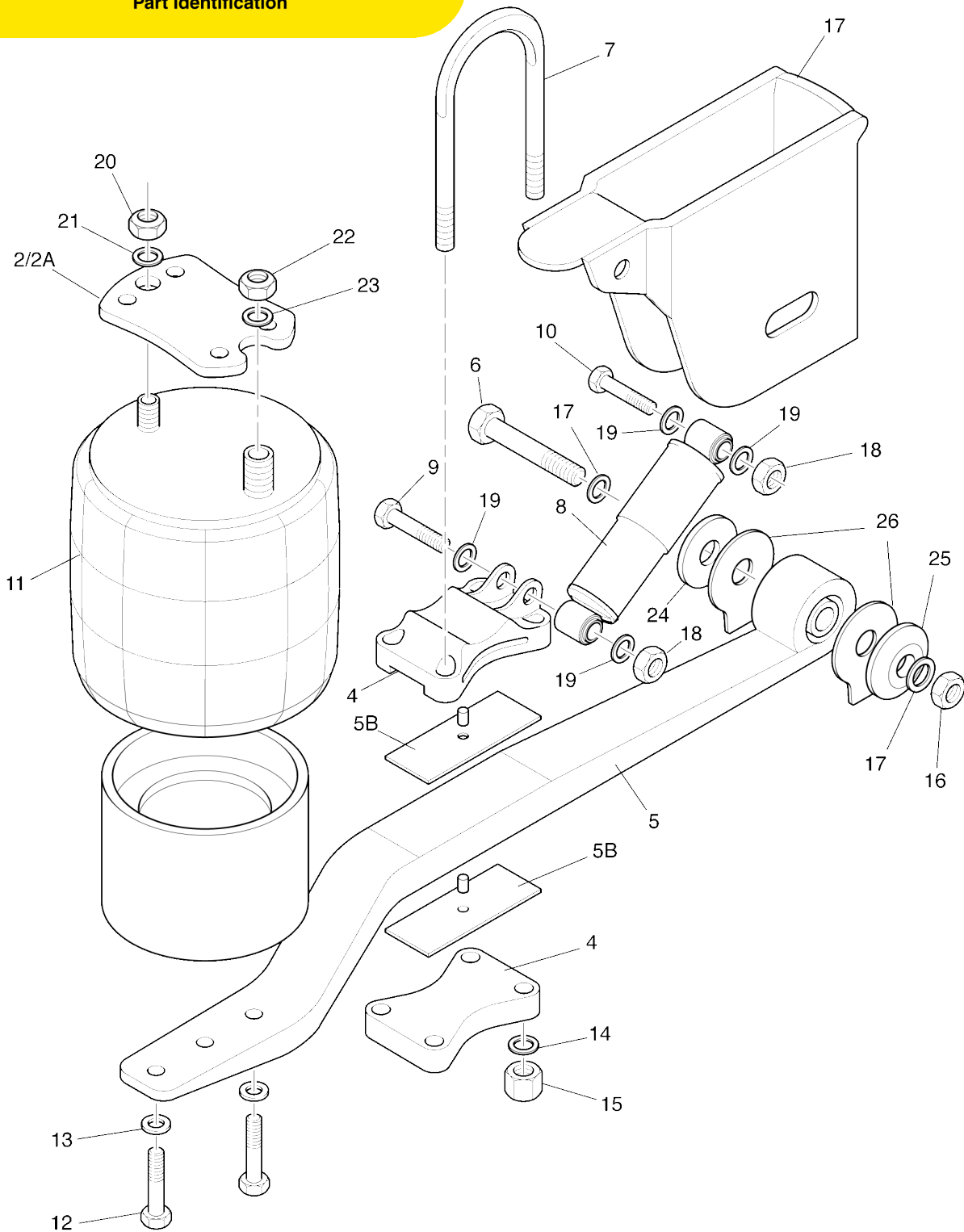


**ROR / Meritor Suspension -
XL9000L & XL9000HL**
Part Identification



ROR / Meritor Suspension XL9000L & XL9000HL - Parts List

Item	Description (OE Part No)	XL9000	XL9000H
1A	Frame Mounting Bracket, Tracked L/H (Ride Height mm) (21225133L-37L)	54389 (150-250)	54389 (250-350)
1A	Frame Mounting Bracket, Tracked R/H (Ride Height mm) (21225133R-37R)	54390 (150-250)	54390 (250-350)
2	Airspring Pedestal Plate, (Ride Height mm) (21222582)	54374 (150)	54374 (250)
2A	Airspring Pedestal Assembly, (Ride Height mm) (21222583-85)	54375 (175-250)	54375 (275-350)
3	Spring seat (21225054)	54392	54392
4	U bolt plate (21225056)	54393	54393
5	Trailing Arm Assembly, c/w bush, M24 (21225102; 21224664)	54199	54089
5A	Pivot bush, M24 (21225103)	54378	54378
5B	Shim (21225152)	54379	54379
5C	Shim (21225170)	54380	54380
6	Pivot Bolt, M24 (21225155)	54381	54381
7	U bolt, M24 (21225151)	54382	54382
8	Damper (21225104)	54195	54195
9	Damper Bolt - Bottom, M16 (21225154)	54383	54383
10	Damper Bolt - Top, M16 (21225154)	54383	54383
11	Airspring (21222442FS)	15732	15732
12	Bolt, M12 X 55 (99526002)	54162	54162
13	Spring Washer, M12 (99510003)	54156	54156
14	U Bolt Nut, M24 (21222243)	54133	54133
15	U Bolt Washer, M24 (21222923)	54142	54142
16	Pivot Nut, M24 (99527004)	54165	54165
17	Pivot Washer, M24 (99513007)	54157	54157
18	Damper Nut, M16 (21225159)	54384	54384
19	Damper Washer, M16 (21224978)	54385	54385
20	Nut, M12 (99527000)	54163	54163
21	Washer, M12 (99513006)	54153	54153
22	Nut, M22 (99528000)	54355	54355
23	Washer, M22 (99510004)	54155	54155
24	Tracking Bush, Eccentric, M24 (21225156)	54356	54356
25	Tracking Bush, Concentric, M24 (21225157)	54357	54357
26	Wear Plate, Tracked, M24 (21225162)	54386	54386

airsprings.com contact:

UK +44 (0) 1925 810 400
Ireland +353 (0) 45 875 996
(NI) +44 (0) 2890 740 055
Poland +48 (0) 785 875 996



airsprings.com

International Parts Distributors