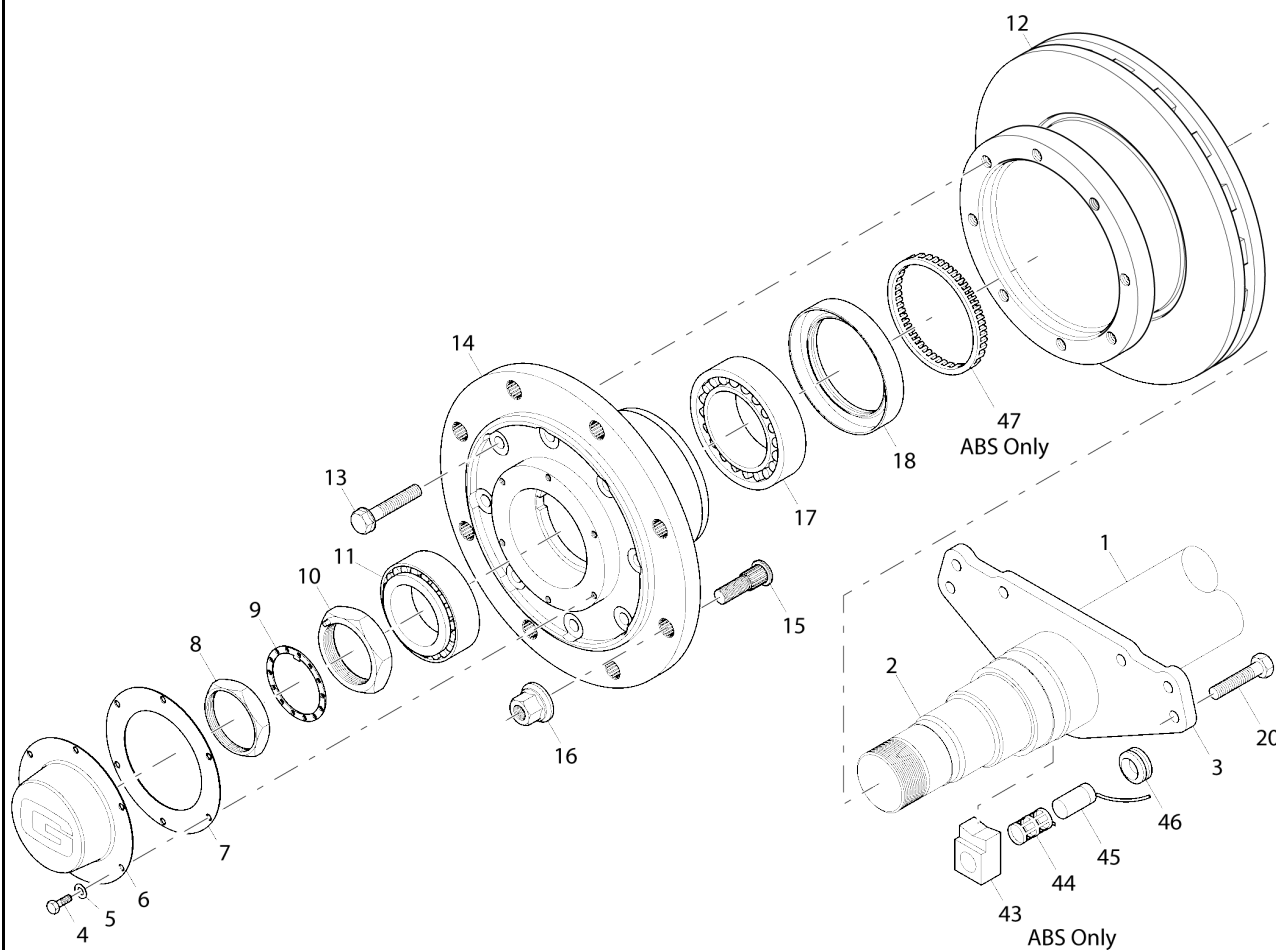


## 500 Series Axle Hub Assembly

### Part Identification



### 500 Series Axle Hub Assembly Parts List

Item	Description	airsprings.com Part No
1	Axle Tube	<b>66572</b>
2	Axle Spindle	<b>61585</b>
3	Torque Plate	<b>61578</b>
4	Screw M8 x 16 Flat Head	<b>61358</b>
5	Washer	<b>61349</b>
6	Hub Cap "G"	<b>61322</b>
7	Gasket	<b>61335</b>
8	Locknut	<b>61576</b>
9	Lock Washer	<b>61573</b>
10	Adjusting Nut	<b>61577</b>
11	Outer Bearing Timken	<b>61579</b>
12	Disc Rotor	<b>61571</b>
13	Flanged Bolt M12x60	<b>61581</b>
14	Hub ISO Spigot	<b>61572</b>
15	Wheel Bolt M22 ISO (Single)	<b>61355</b>
16	Wheel Nut M22 ISO (Steel Wheel)	<b>61381</b>
17	Inner Bearing Timken	<b>61580</b>
18	Oil Seal	<b>61575</b>
19A	Caliper LH	<b>61570</b>
19B	Caliper RH	<b>61574</b>
20	Flanged Bolt M 16 x 1.5 x 50	<b>61387</b>

**airsprings.com contact:**

**UK** +44 (0) 1925 810 400  
**Ireland** +353 (0) 45 875 996  
**(NI)** +44 (0) 2890 740 055  
**Poland** +48 (0) 785 875 996



**airsprings.com**

International Parts Distributors