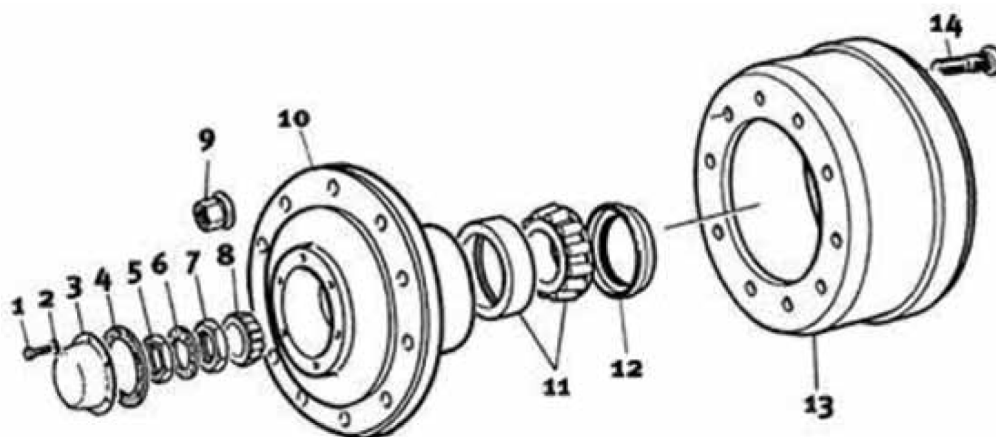


200 Series Axle Drum Brake

Part Identification



200 Series Axle Drum Brake Parts List

Item	Description	420x180
1	Screw	61351
2	Washer	61352
3	Hub Cap "G"	61322
4	Gasket	61330
5	Locknut	61310
6	Lock Washer	61300
7	Adjusting Nut	61290
8	Outer Bearing	61270
9	Wheel Nut M22 ISO	61381
10	Hub ISO Spigot	61490
11	Inner Bearing	61260
12	Oil Seal Unitised	61282
	Oil Seal Wear Sleeve	61280
13	Brake Drum 10 Stud	61240
14	Wheel Bolt M22 ISO Single	61361
	Dust Cover Pair	61390
	Screw	61351
	Washer Shakeproof	61352

airsprings.com contact:

UK +44 (0) 1925 810 400
Ireland +353 (0) 45 875 996
(NI) +44 (0) 2890 740 055
Poland +48 (0) 785 875 996



airsprings.com

International Parts Distributors