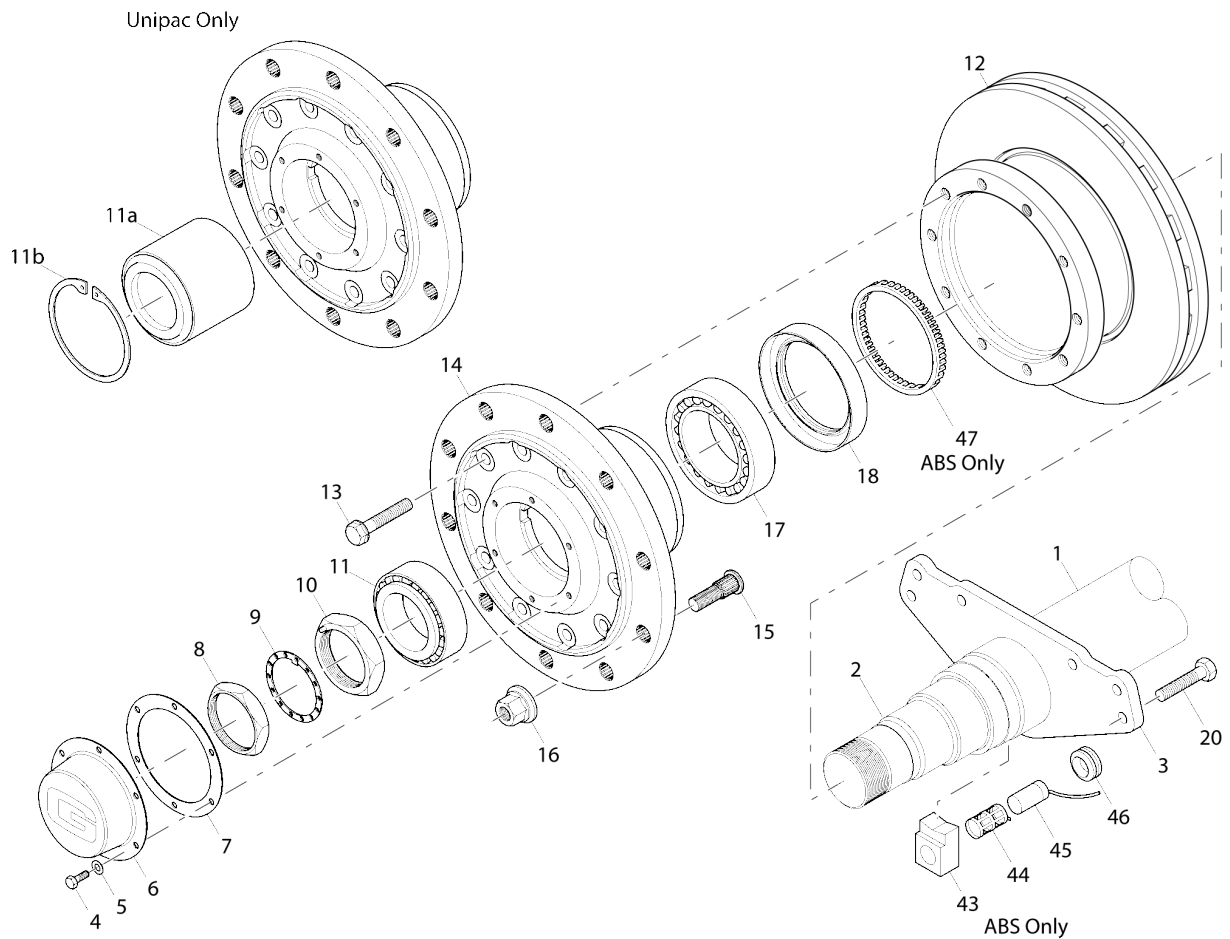


700 Series Axle Hub Assembly
Part Identification



700 Series Axle Hub Assembly Parts List

Item	Description	Twin Bearing	Unipac Bearing	Twin Bearing (Single OFFSET Wheel)
1	Axle Tube	64200	64200	64200
2	Axle Spindle	61025	61025	61473
3	Torque Plate	61012	61012	61012
4	Screw M8*16 Flat Head	61358	61358	61358
5	Washer	61352	61352	61352
6	Hub Cap'G'	61325	61325	61322
7	Gasket	61335	61335	61330
8	Locknut	61315	61315	61310
9	Lock Washer	61305	61305	61300
10	Adjusting Nut			61290
11	Outer Bearing	61296		61265
11A	Unipac Bearing		61266	
11B	Snap Ring - Bearing		61295	
12	Disc Rotor SB7000	61244	61244	61244
13	Cap-headed Bolt M 14*1.5*70	61357	61357	61357
14	Hub ISO Spigot	61278	61277	61492
15	Wheel Bolt M22 ISO (Single)	61355	61355	61355
15	Wheel Bolt M22 ISO (Single Alu or TwinSteel Wheels)	61375	61375	61375
15	Wheel Bolt M22 ISO (Twin Aluminium Wheel)	61398	61398	
16	Wheel Nut M22 ISO (Steel Wheel)	61381	61381	61381
16	Wheel Nut M22 ISO (Twin Aluminium Wheel)	61383	61383	61383
17	Inner Bearing	61296		61264
18	Oil Seal Unitised	61282		61282
19A	Caliper LH	61002	61002	61002
19B	Caliper RH	61003	61003	61003
20	Bolt M16*1.5*55	61356	61356	61356

airsprings.com contact:



UK +44 (0) 1925 810 400
Ireland +353 (0) 45 875 996
(NI) +44 (0) 2890 740 055
Poland +48 (0) 785 875 996

airsprings.com

International Parts Distributors